



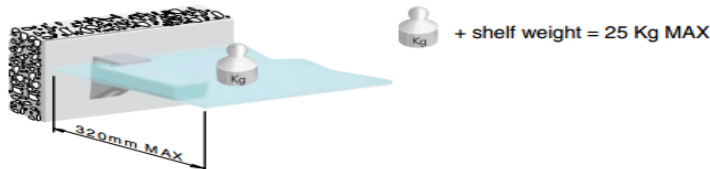
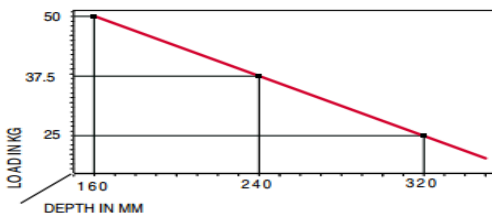
KALABRONE is a shelf support for free-standing shelves. Features a captivating design for current market demands.



Advantages/Benefits

- ✓ The soft engineering plastic element on the upper bracket guarantees perfect adhesion to the shelf, protecting the shelf from accidental removal.
- ✓ Its solid structure guarantees a load capacity of 25 kg per support for a shelf 320 mm deep.
- ✓ The two available finishes (satin nickel and bright chrome) will add a touch of elegance and distinction to your room.
- ✓ A locking device allows the shelf to be firmly in place.
- ✓ Zinc alloy material.
- ✓ Exclusive to Richelieu.
- ✓ Kalabrone offers two adjustment options:
 - ✓ Vertical: through the oval hole positioned on the upper bracket (+3, -3mm)
 - ✓ Tilt: through an adjustable screw positioned on the main support (3mm).

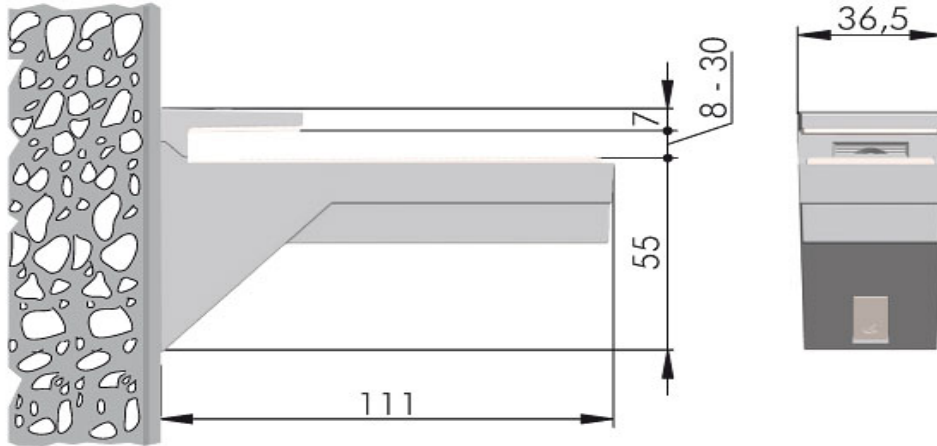
COMBINATION SHELF LOAD AND SHELF DEPTH
(The figures refer to 1 shelf support)



Product number	Load rating/support	Shelf Thickness	Finish
166210140	Max 25kg (55lbs)	8 to 30mm (5/16" to 1-3/16")	Bright Chrome
166210185	Max 25kg (55lbs)	8 to 30mm (5/16" to 1-3/16")	Satin Nickel



Technical drawing & Assembly



INSTALLATION, LOCKING SHELF AND ADJUSTMENTS

