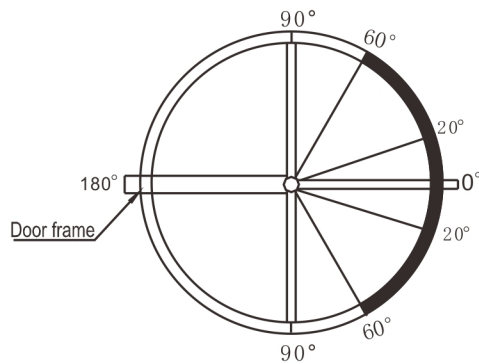


Hydraulic Glass Door Hinge Instruction Manual

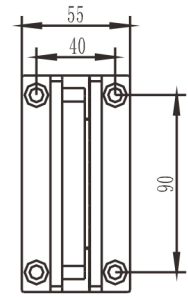
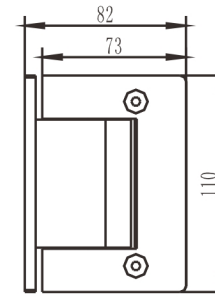
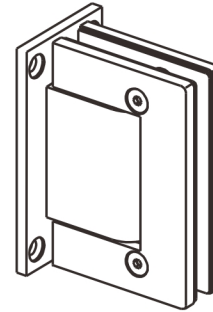


Features:

1. Soft closing : 20°- 0° (adjust by valve2)
2. Soft closing : 60°- 20° (adjust by valve1)
3. Fast closing : 95°- 60°

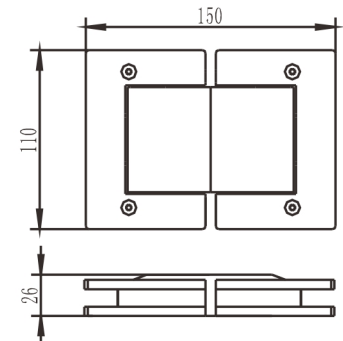
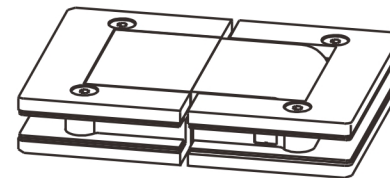
Soft closing section

Code No.	Model	Glass Thickness (mm)	Gasket usage	Max.load capacity per 2 hinges(kgs)
CDHH90SS	G-G	10-12	10mm:4pcs 12mm: 2pcs	60
CDHH180SS	G-W	10-12		



Code No.:CDHH90SS

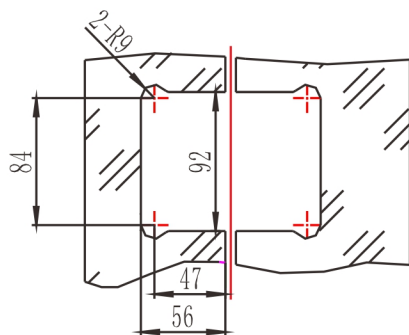
90° Glass-Wall



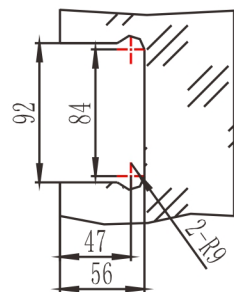
Code No.:CDHH180SS

180° Glass-Glass

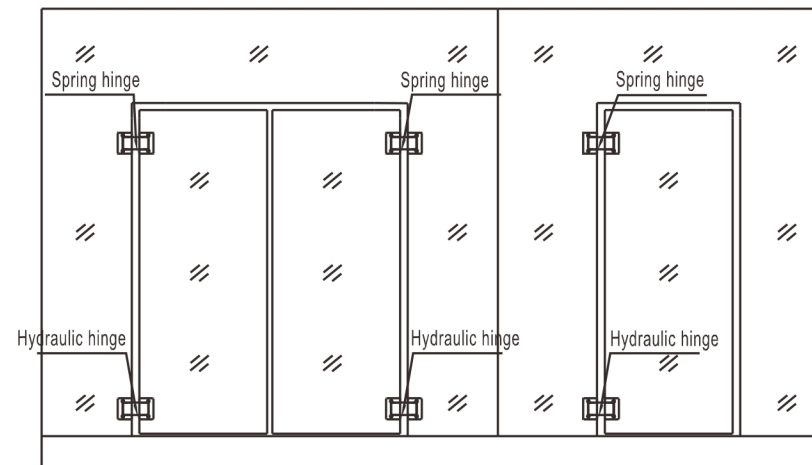
Glass Template



180° Glass-Glass

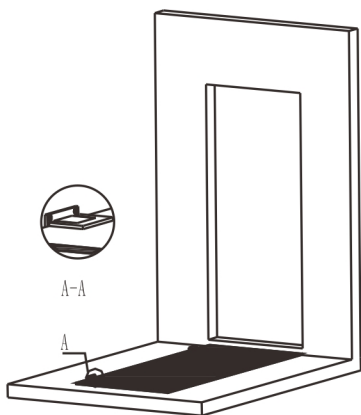


90° Glass-Wall



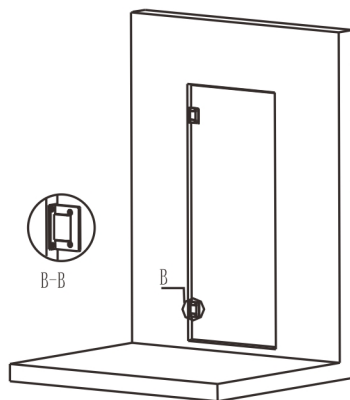
Each pair of hinge consists of a spring hinge and a hydraulic hinge, the hydraulic hinge should always be installed below the spring hinge.

Installation Steps:



Step 1:

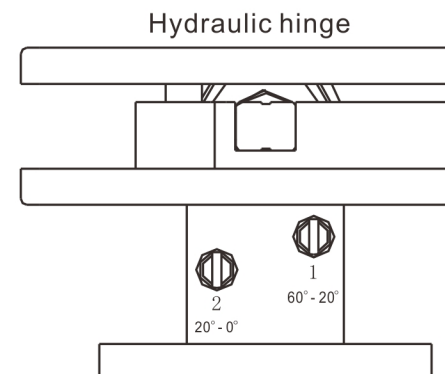
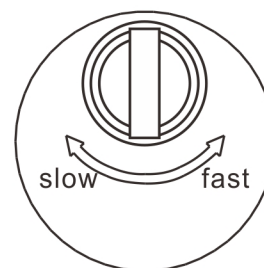
Fix the hinge onto the glass door, use suitable gaskets



Step 2:

Fix the hinge mounted glass door to the frame

Speed adjustment:



1. Fully tighten the No1 and No2 speed adjustment valves.
2. Loosen the No1 and No2 valves by 1/4 turn.
3. Adjust the No2 valve to ideal closing speed.
4. Adjust the No1 valve to ideal closing speed.
5. It's suggested to turn no more than 1/4 turn each time you adjust the valves.

Notice:

Do not loosen the speed adjustment screws completely out to maintain factory standards and ensure proper functioning.