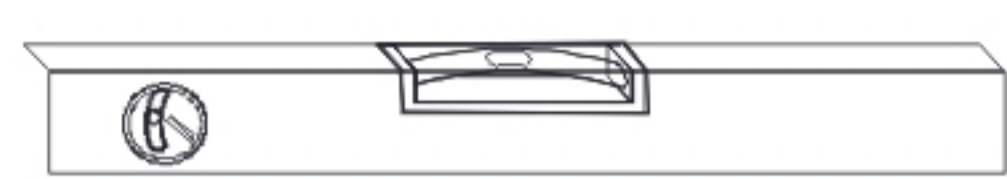


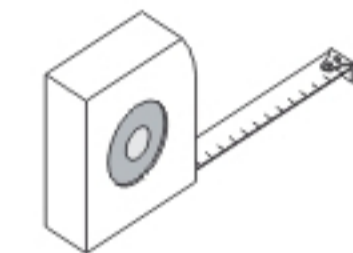
Installation steps:

Tools

Tools required for the installation.



Level



Tape Measure



Power Drill



Pencil



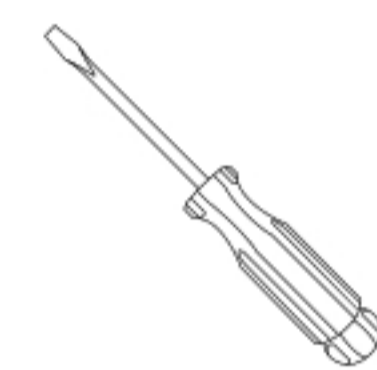
4mm Allen Key



3/32"mm Allen Key



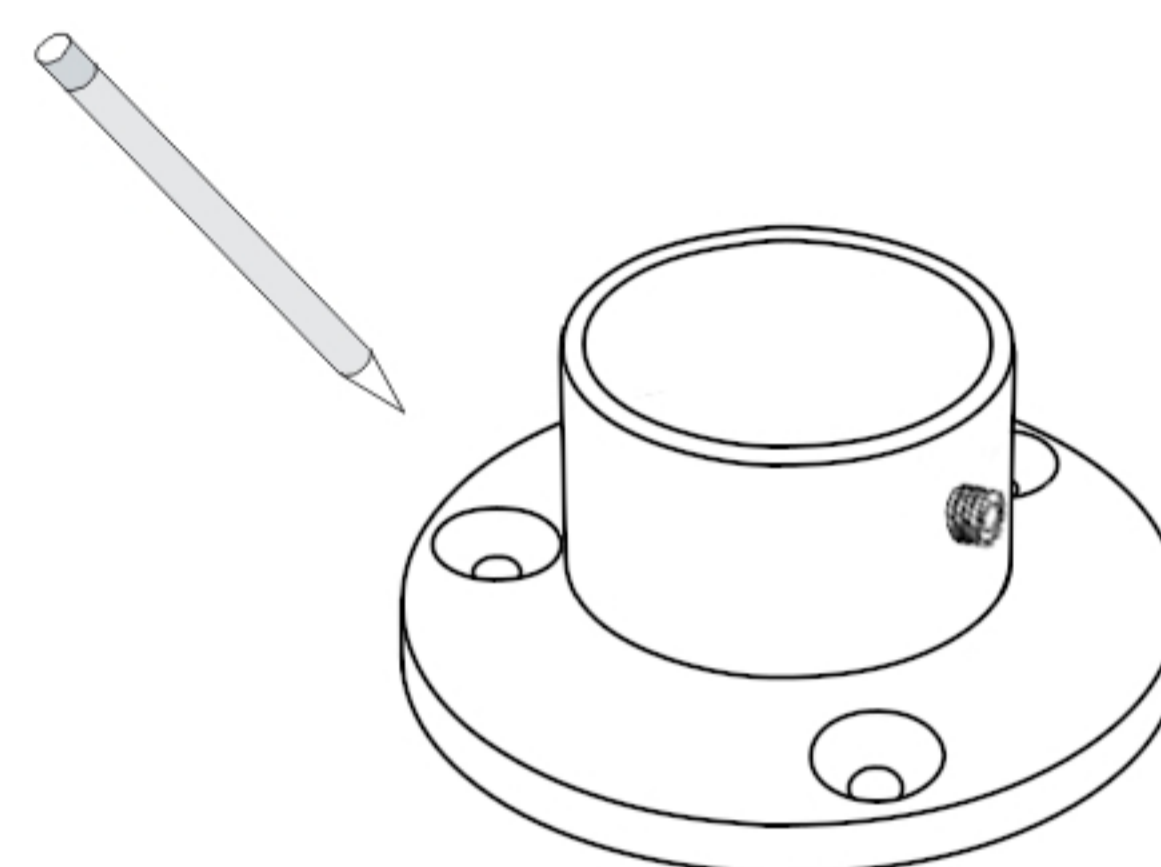
#8 Coarse Drywall Screw



Flathead Screwdriver

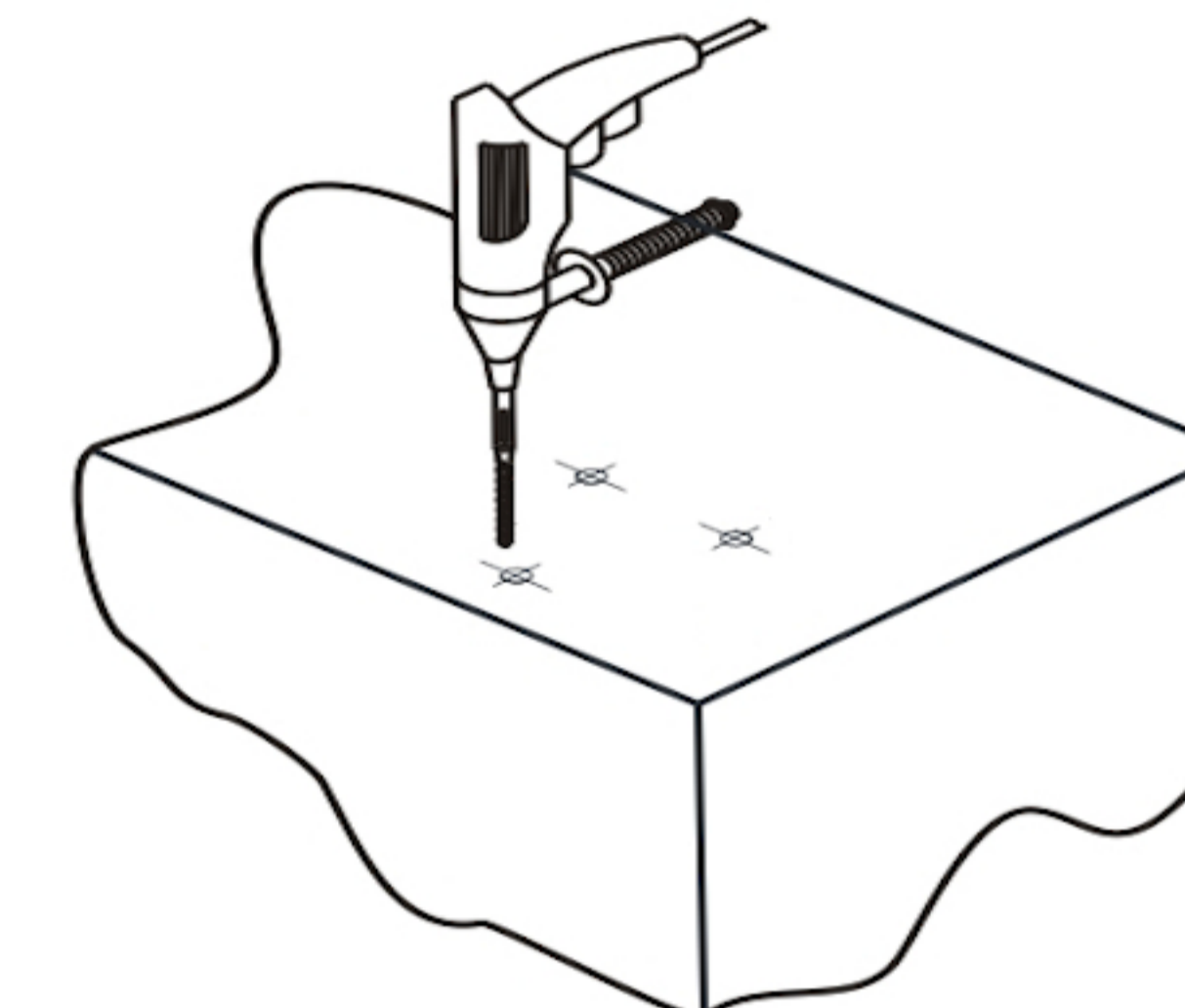
1

Using the base as a template, mark the holes on the counter where you intend to install your posts.



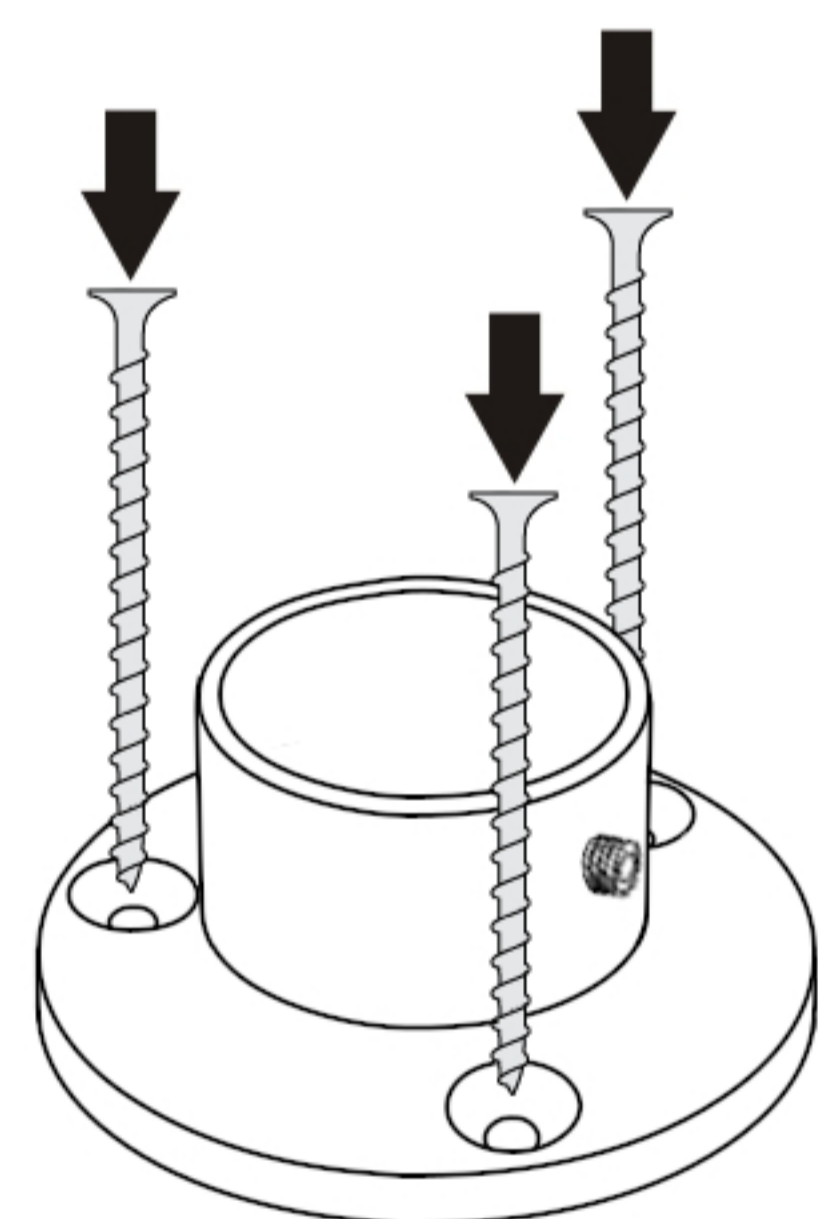
2

Drill the holes all the way through the countertop to gain access to the frame underneath.



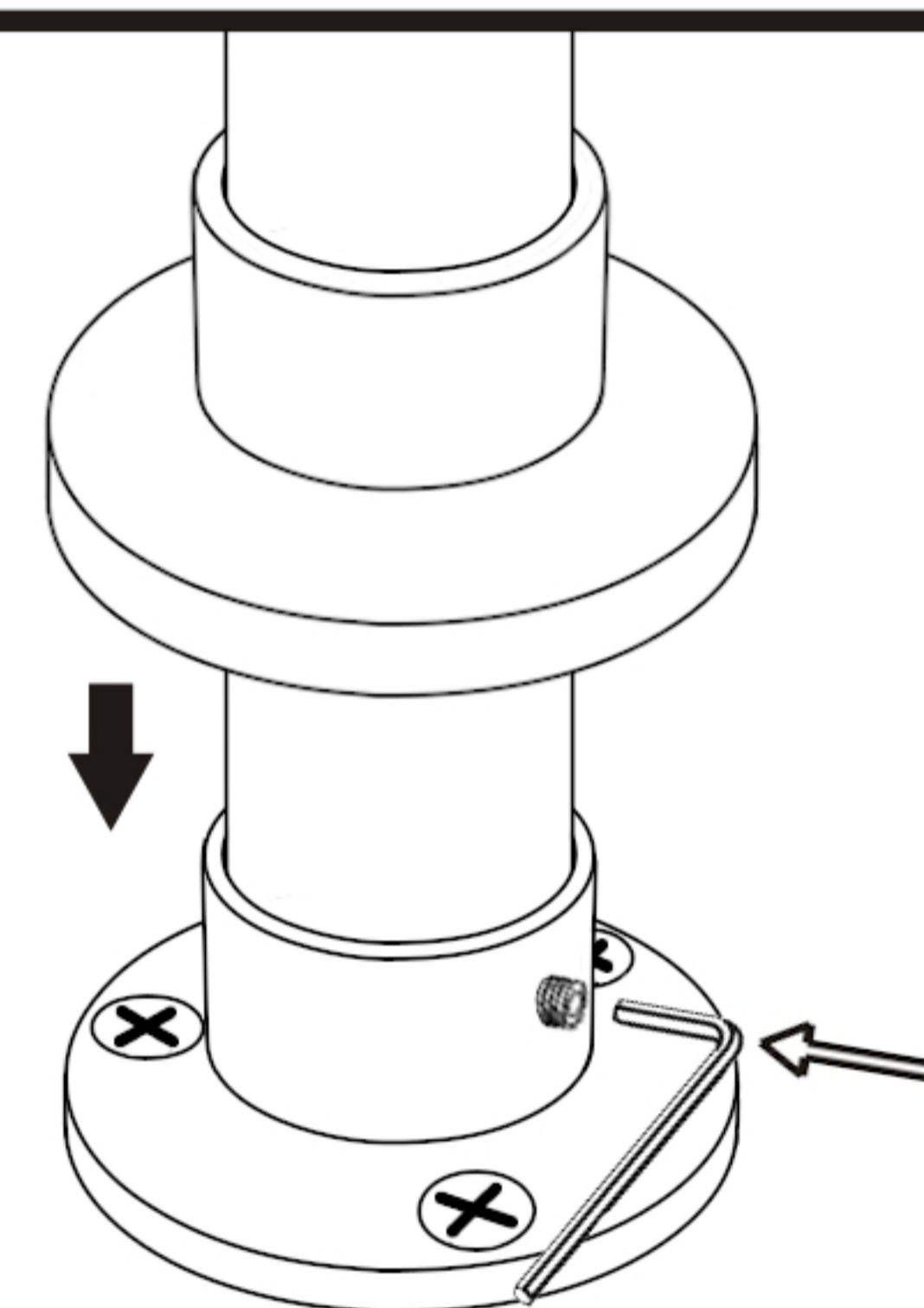
3

Mount the base with the #8 screws. Optional: Once mounted, use a food-grade silicone to seal the base.



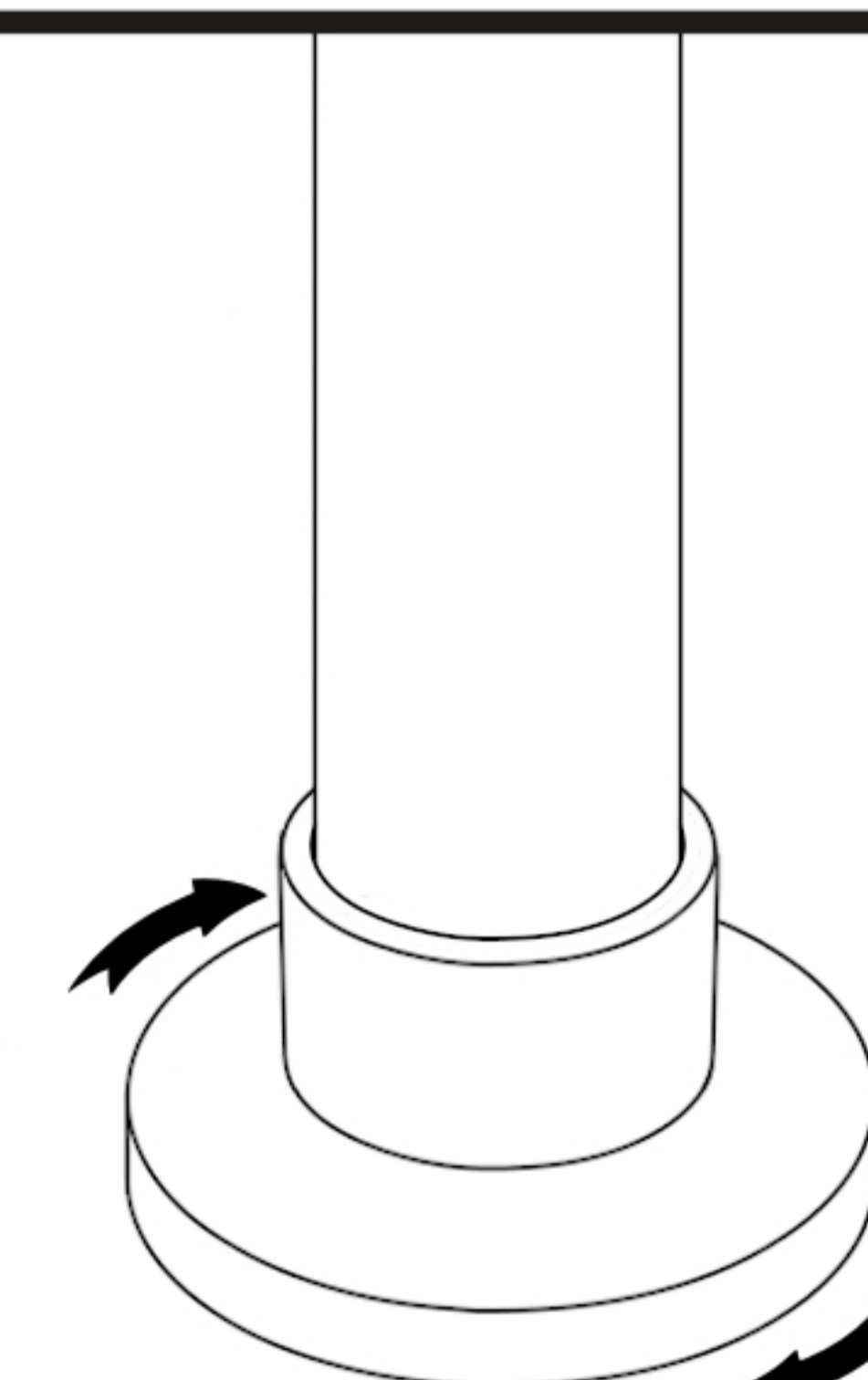
4

Slip the base cover onto the post and insert the post into the base. Tighten the set screw.



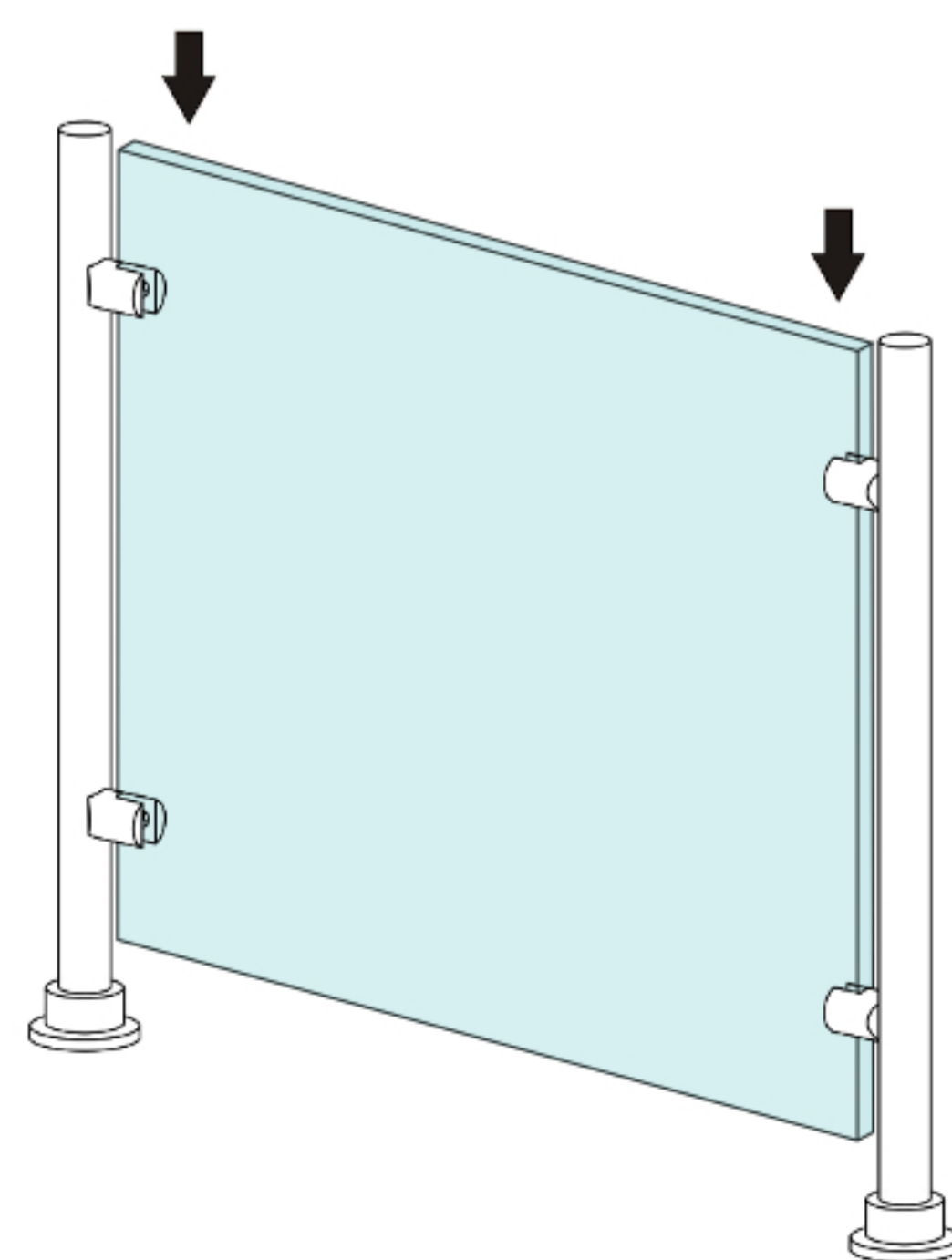
5

Align the base cover with the base and turn clockwise to lock into place.



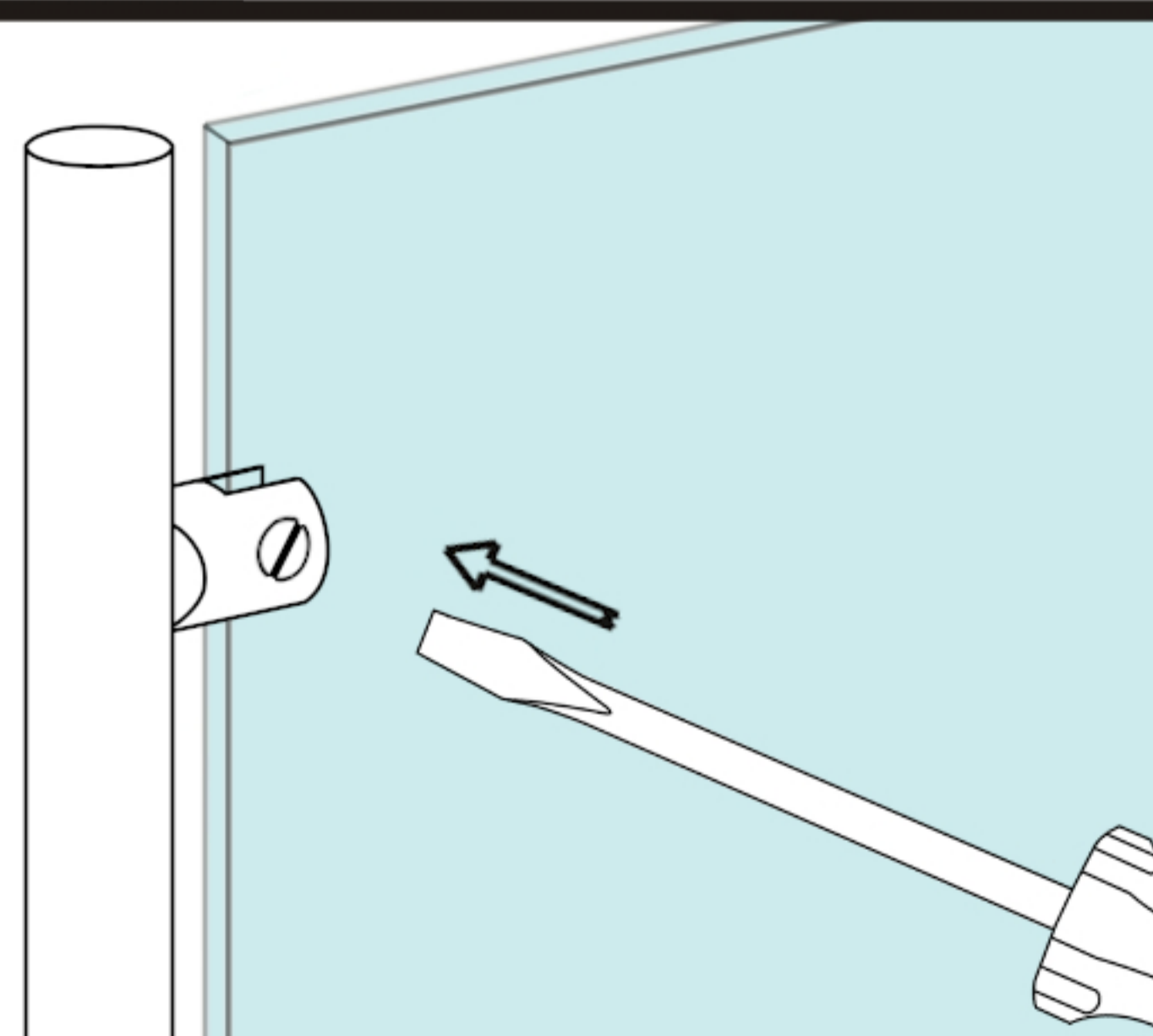
6

Use the 4mm Allen key to ensure the grips are facing the desired direction and insert the glass.



7

Ensure the glass is level and tighten the nylon screws to finish the installation.



These instructions are for installation on solid countertops.