

GENERAL NOTES:

- 1) THE LOAD RESISTANCE OF THE GLASS AND SPIGOT COMPONENTS INSTALLED IN THE CONFIGURATIONS AS SHOWN MEET THE LOAD REQUIREMENTS SPECIFIED IN SECTIONS 9.8.8.2 AND 4.1.5.14.1 (c) OF THE 2015 NBC AND THE 2012 OBC.
- 2) GLASS THICKNESS IS 1/2" OR 12 MM, AND MUST BE TEMPERED OR LAMINATED SAFETY GLASS INSTALLED IN ACCORDANCE WITH THE REQUIREMENTS OF CAN/CGSB-12.1-M.
- 3) CERTIFICATION IS FOR GUARD COMPONENTS ONLY. FASTENING THE SPIGOT TO THE SUPPORT STRUCTURE IS A SITE CONDITION AND THE INSTALLERS MUST ENSURE THAT THE FASTENERS ARE ADEQUATE TO RESIST THE DESIGN LOADS.
- 4) THE MATERIAL TO WHICH THE GLASS SUPPORTS ARE BEING FASTENED MUST ADEQUATELY RESIST THE DESIGN LOADS.

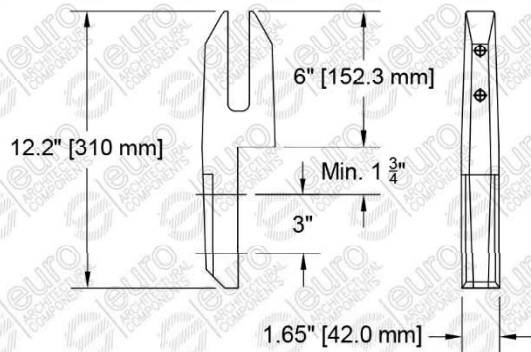
Fasteners used for testing:

On concrete:

- Wedge anchor 1/2" x 4"

On wood:

- Lag bolt 1/2" with min. 3" of thread embedded in wood
- Optional: 1/2" thru-bolt or threaded rod with flat washers and nuts



Glass panel height: Max. 48"

W (Glass width): Min. 26"

A = Max. 36"

B = Min. 6" and Max. 9"

Common sizes:

W (in)	A (in)	B (in)	Number of spigots
72	27	9	3
60	22	8	3
48	32	8	2
36	22	7	2
26	14	6	2

FINISH	CODE
Satin	SSSPIGOTEDGE



127A Aviva Park Dr., Woodbridge, ON, CANADA
www.euroeac.com | Toll Free: 1-800-465-7143

MATERIAL: SS Duplex 2205

WEIGHT: -----

SCALE: As Noted

DRAWN: A.R

DATE: 04/26/2017

TITLE

Edge Mount Spigot

Tilt Adjustable

DWG NO

SSSPIGOTEDG-ENG

SHEET

1 of 1

REV

01