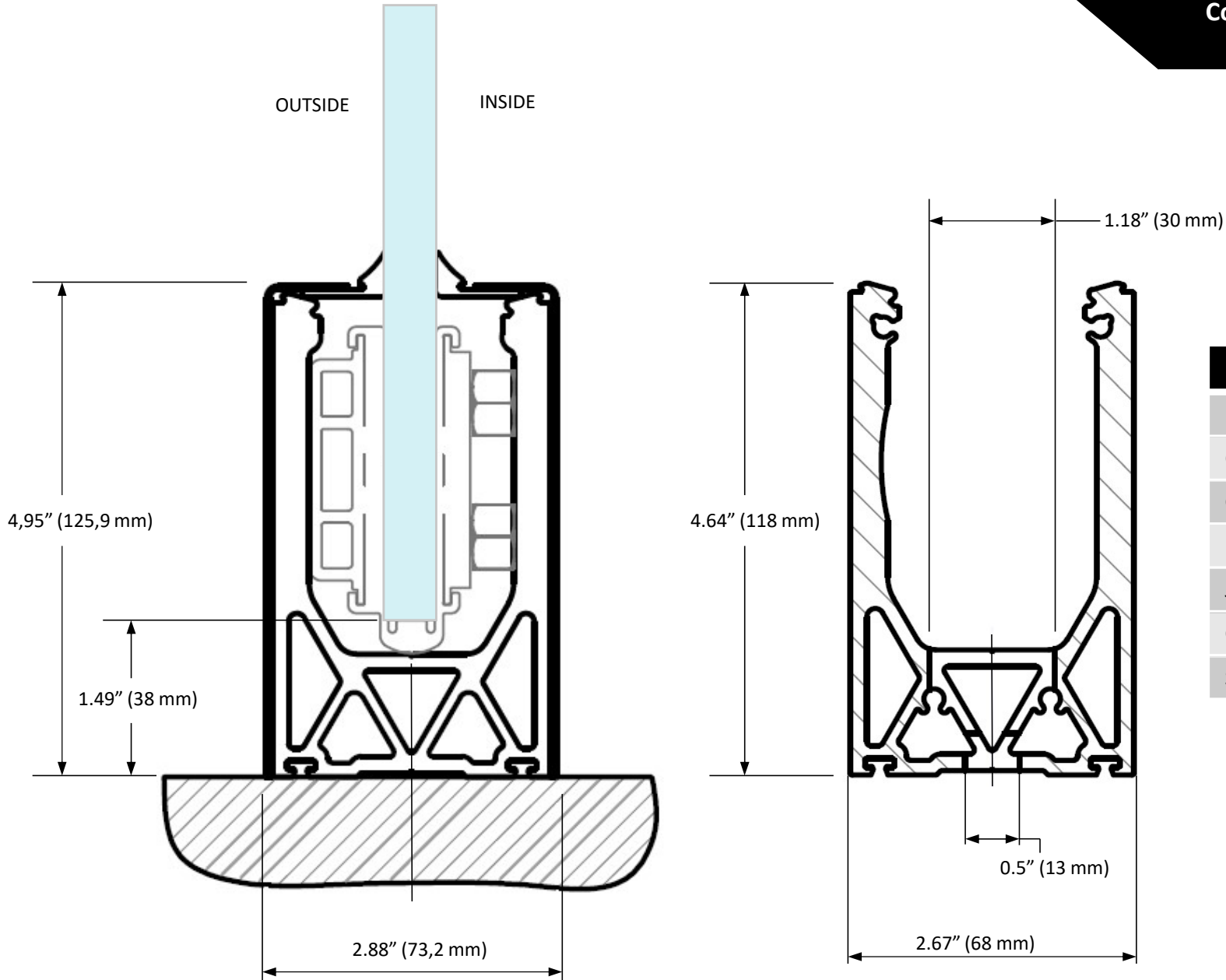
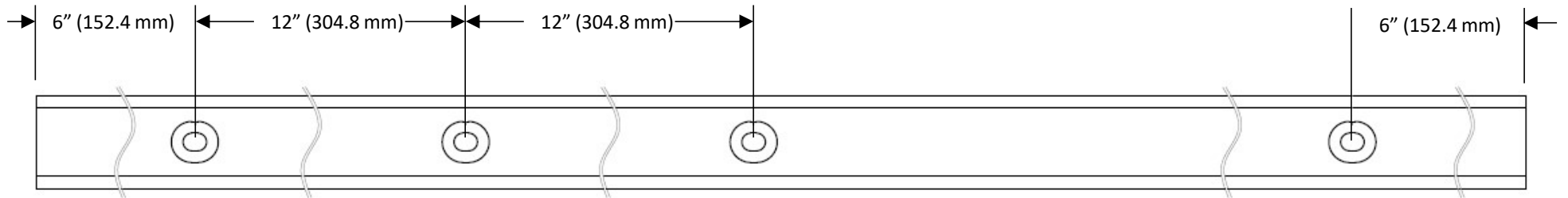
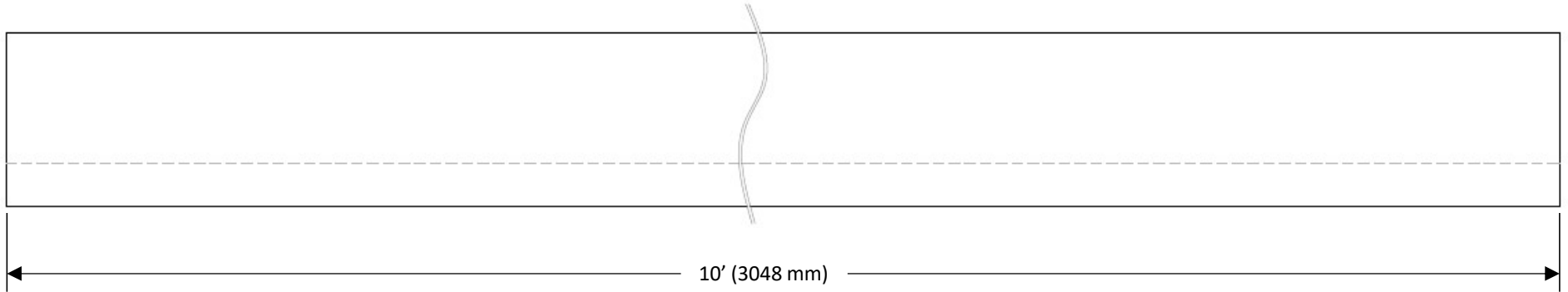


# TILT-LOCK™ M3 SERIES Top Mount Adjustable Base Shoe

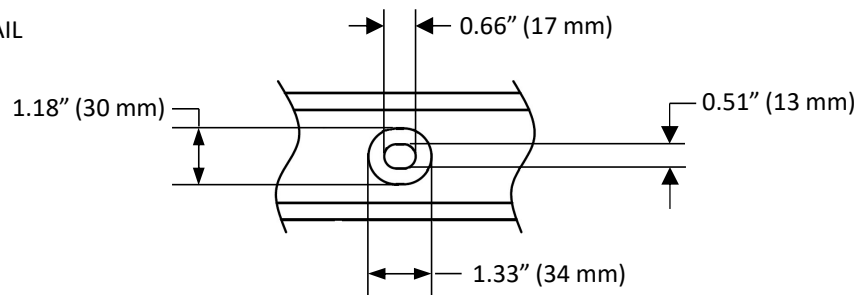
Code No.: SSSM3SHOE10xxx  
 SSSM3SHOE20xxx

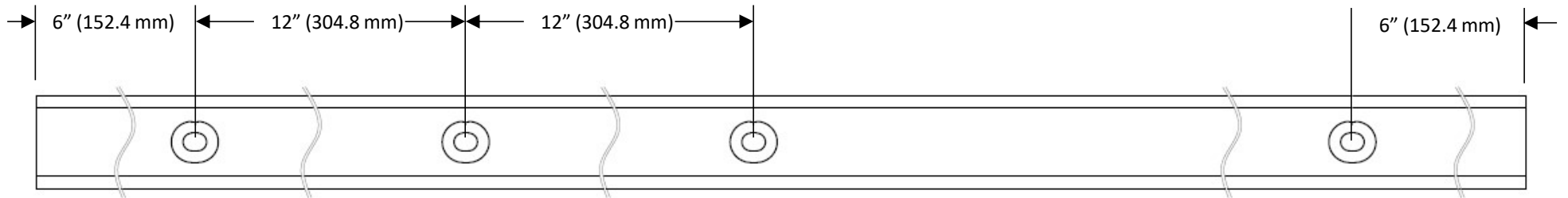
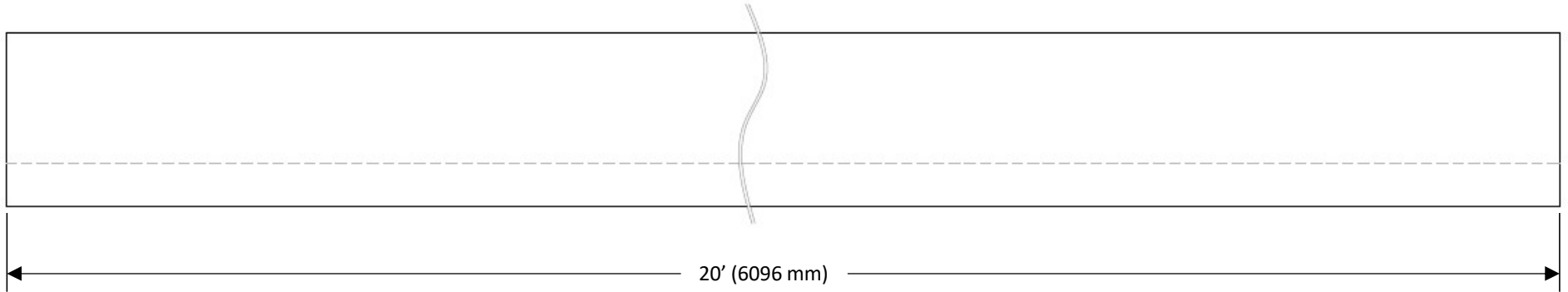


Kit Includes	Qty
Base Shoe	1
Cladding	2
Glass Grips	8
End Caps	2
Joining Pins	4
Glass Spacers: 4"	1
Stabilizing Washers	10



HOLE DETAIL





HOLE DETAIL

