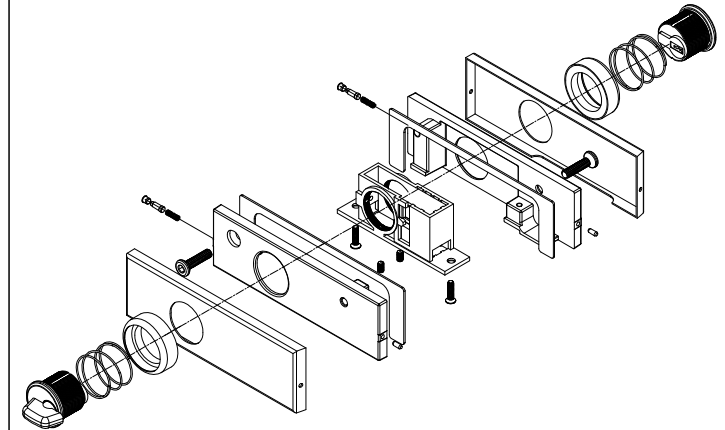
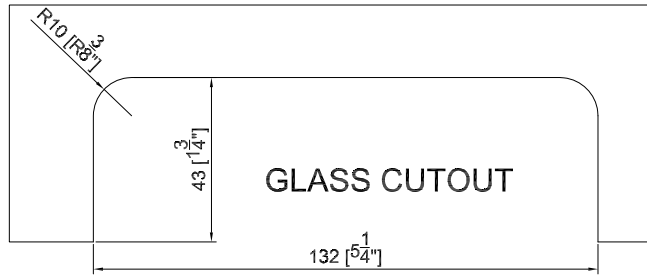
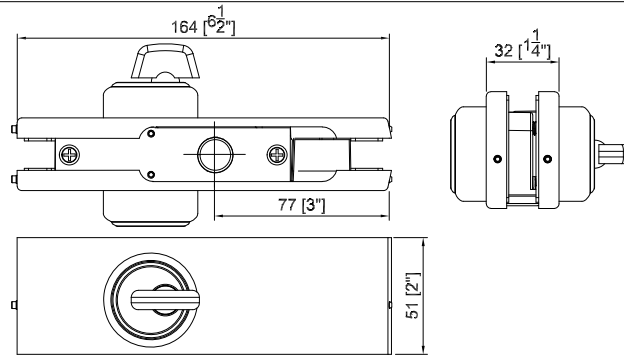
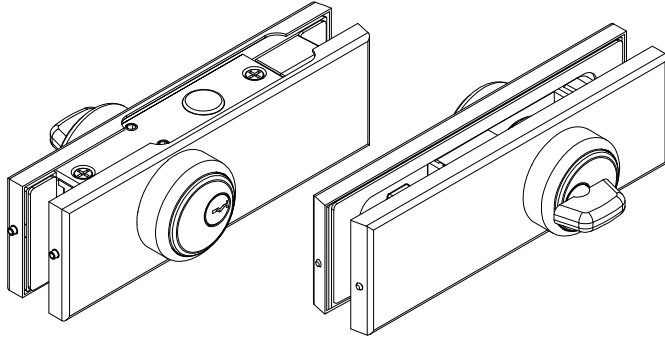


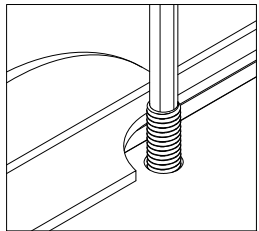
Installation Manual for Centre Patch Lock-US

INSTALLATION INSTRUCTIONS

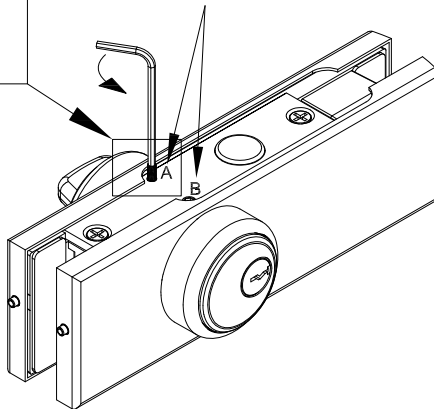


EXPANDED VIEW

1

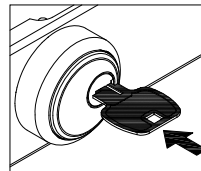


(1). Loose grub screw 'A' & 'B' with Allen key

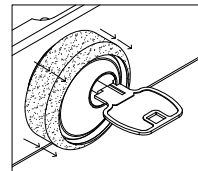


2

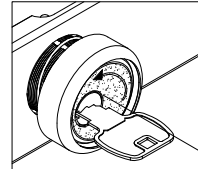
(2a). Insert Key into Cylinder



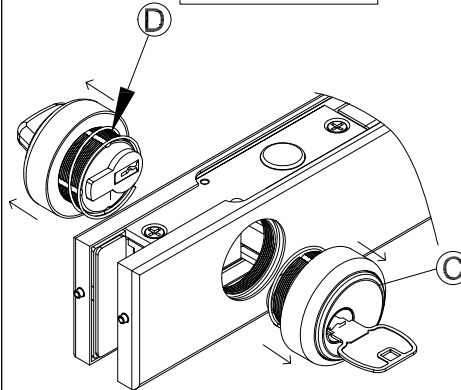
(2b). Pull outward rose cover



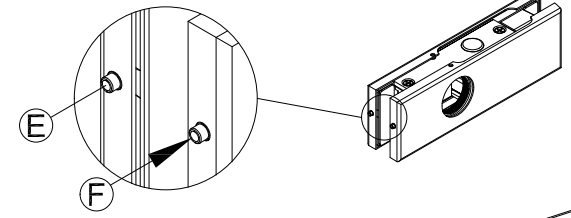
(2c). While pulling outward rose cover, rotate the cylinder with help of key/knob in anti-clockwise direction.



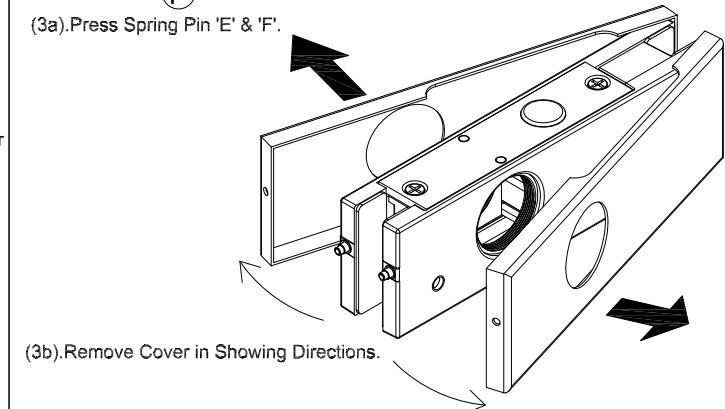
(2d). Take out Both Cylinder 'C' & 'D'.



3

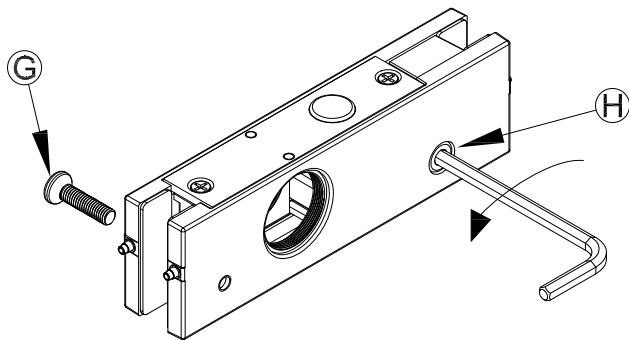


(3a). Press Spring Pin 'E' & 'F'.



(3b). Remove Cover in Showing Directions.

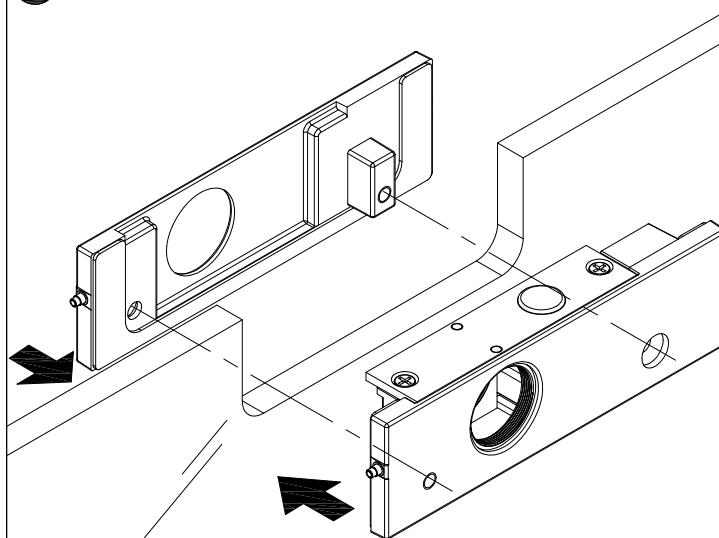
4



(4). Take out Screw 'G' & 'H' with Allen Key.

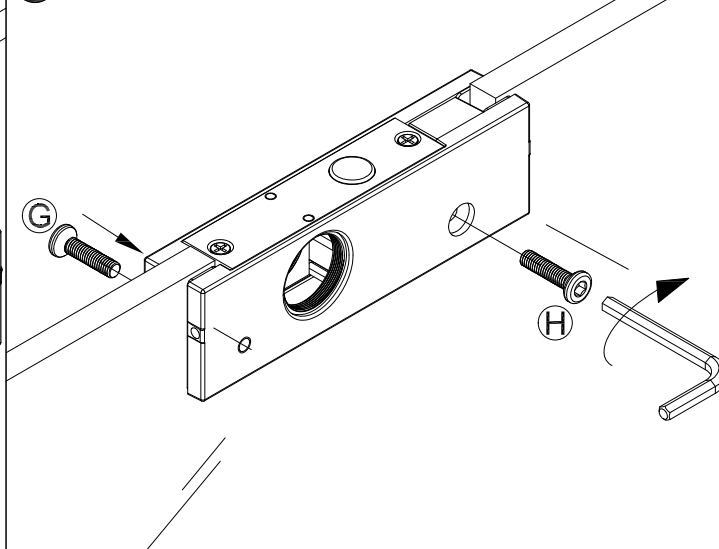
5

(5). Clamp Both Part of Lock with provided seal/gasket into Glass Cutout as shown.



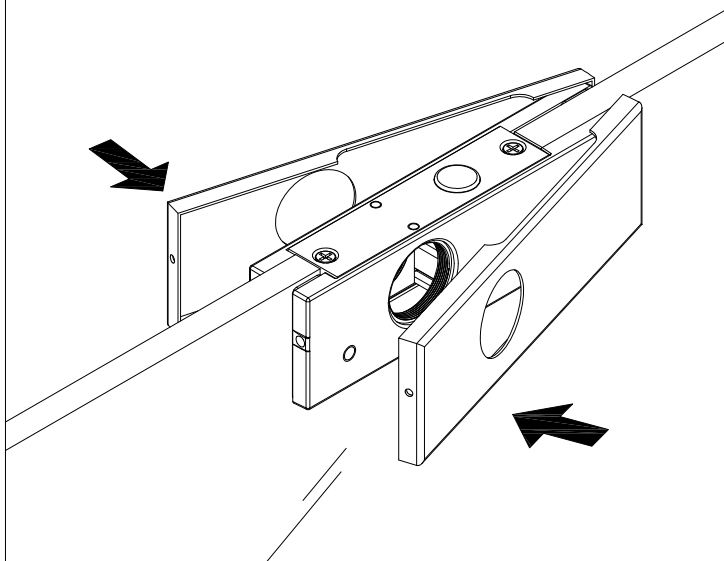
6

(6). Tighten Screw 'G' & 'H' with Allen Key.



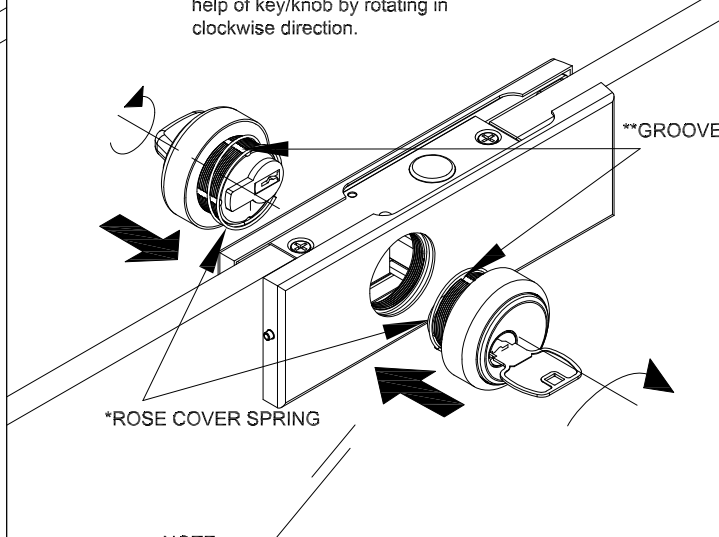
7

(7). Fit cover plate by locking first at Static Pins, then spring pin.



8

(8). Fix the cylinder with help of key/knob by rotating in clockwise direction.



NOTE:-
 *Ensure rose cover spring should be inserted before fix the cylinder.
 **Groove Should be upward as shown, so that grub screw can be reach to this.

9

(9). Fix the Grub Screw with Allen Key

