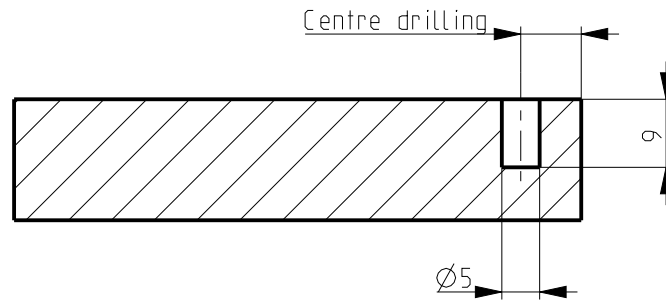
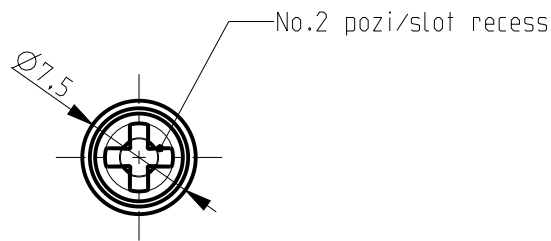
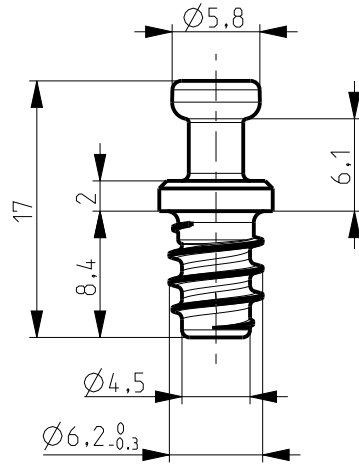


This drawing is TITUS property and is covered by industrial and intellectual property rights and should, without written consent from TITUS, in no way be copied, reproduced or communicated on otherwise used for any other purpose other than that which has been agreed.



S1:1



- Note:
1. Nominal boring dims. shown for guidance only. Check in inteded application.
  2. For use with expanding system 6

Projekcije/ Projections				
Pomembne dimenzije Important dimensions				
GENERAL TOLERANCES ISO 2768 - mK				
from 0.5 up to 6	from 6 up to 30	from 30 up to 120	from 120 up to 400	
±0.1	±0.2	±0.3	±0.5	

**PRODAJNA RISBA / SALES DRAWING**

Naziv izdelka/ Product: Expanding sys.6 fi5x8.5 thread		Kupec/ Customer:	
Koda izdelka/ Item number: 06401		Customer Order name:	
Risba/ Sales Drw: SD2D-06401	Verzija/ Revision: A.1	Customer ref. drawing no.:	Verzija/ Revision:
Posodobil/ Updated by: Marino Prodan	27-JAN-2020	Customer approval (Date, signature):	
Pregledal/ Checked by: Valter Svava	31.01.2020		
		Merilo/ Scale 2:1	

**TITUS**

Print size  
**A4**