

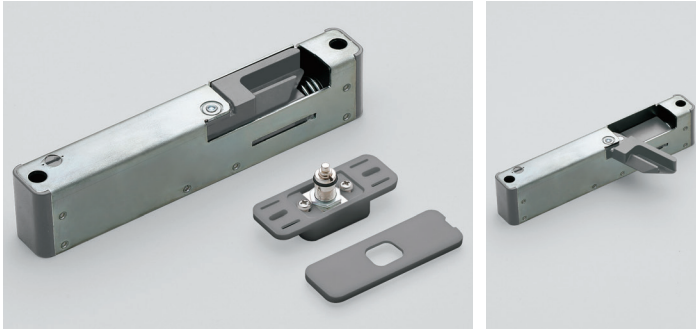
# LAPCON DOOR DAMPER (RECESSED TYPE)



# LDD-V

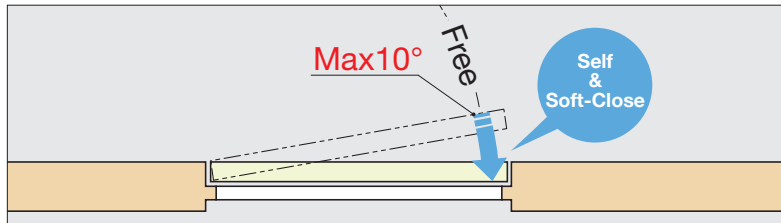
DOOR ACCESSORIES

LAPCON DOOR DAMPERS (RECESSED TYPE)

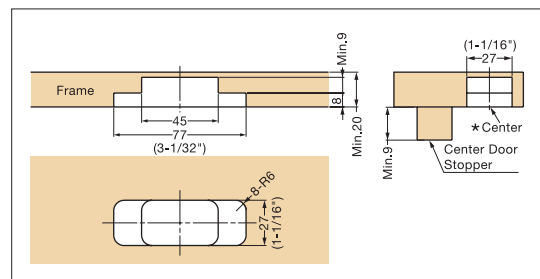
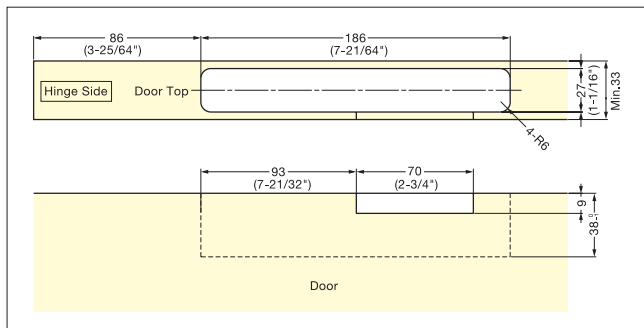
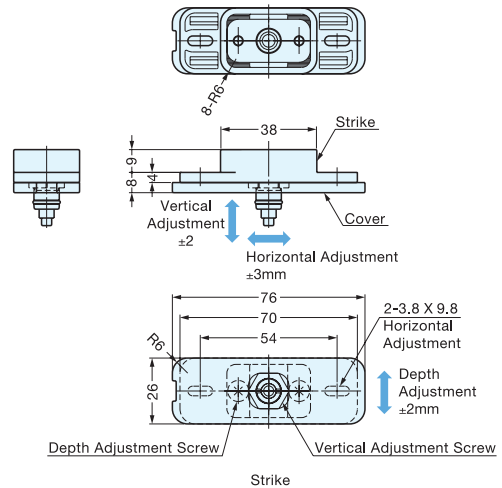
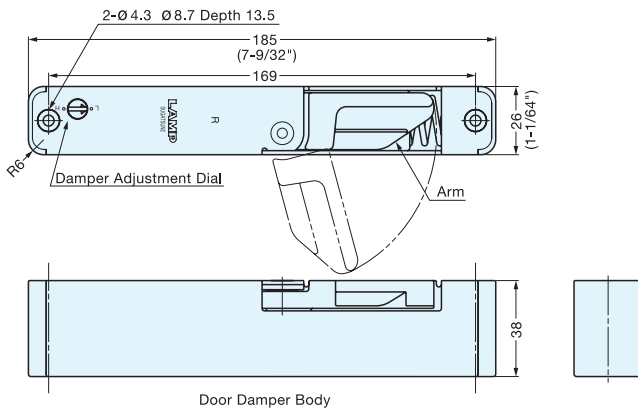


- Door damper unit for interior, swinging doors.
- Grips door at final 10° and softly, self-closes doors more gently compared to other door closers, putting less stress on the hinges.
- "Invisible" design minimizes visibility of the hardware.
- Recommended Door Specifications:  
Thickness: minimum 33 mm (1-5/16")  
Width: maximum 914 mm (3' 0")  
Weight: 15~40 kg (33~88 lbs)
- Can be adjusted for door weight after installation. Counterplate position can be easily adjusted by removing cover and turning micro-adjustment screws.
- Can be used with HES hinges (P.180~189), sold separately.
- Includes screws and paper template for installation.

LDD-V-R is shown



LDD-V-R is shown



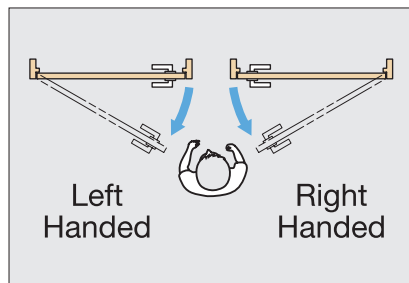
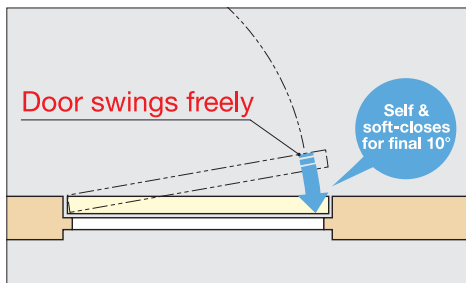
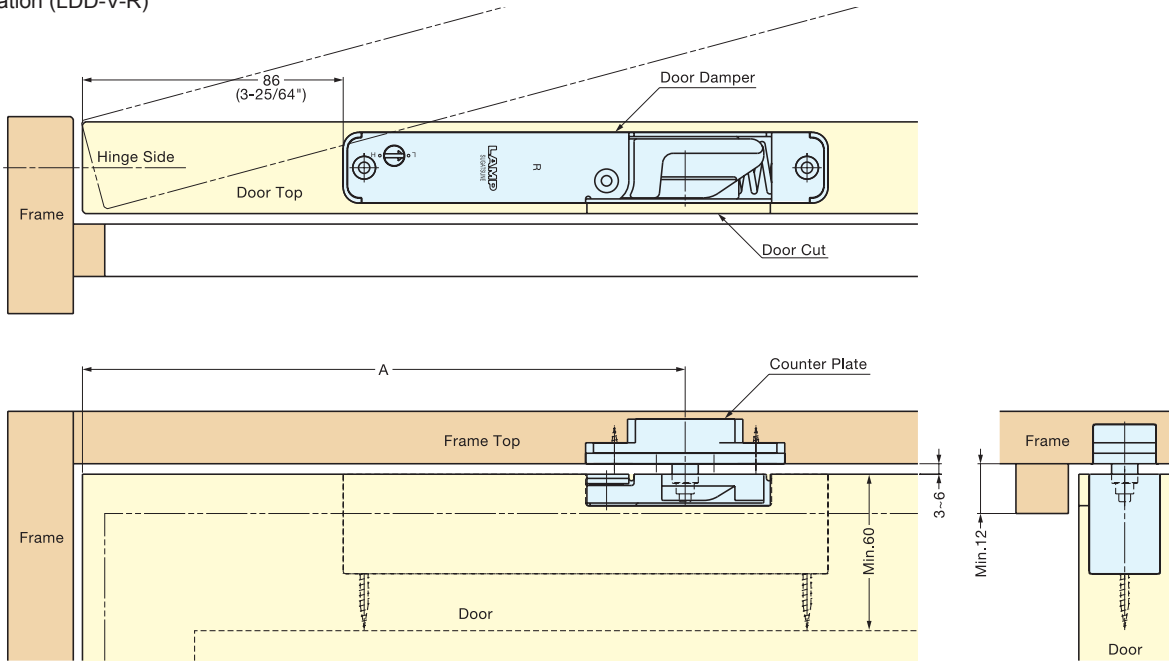
Bore Dimensions (Frame)

Bore Dimensions (Door)

| Part Name     | Material             | Finish/Color  |
|---------------|----------------------|---------------|
| Main Body     | Steel/Polyacetal/PBT | Chromate/Grey |
| Counter Plate | Steel/Polyacetal     | Nickel/Grey   |

| Item No. | Type  | Door Weight          | Door Width (mm)  | Door Thickness (mm) | Box (pc) | Carton (pcs) |
|----------|-------|----------------------|------------------|---------------------|----------|--------------|
| LDD-V-R  | Right | 15~40 kg (33~88 lbs) | Max. 914 (3' 0") | Min. 33 (1-19/64")  | 1        | 24           |
| LDD-V-L  | Left  |                      |                  |                     |          |              |

Installation (LDD-V-R)



| Hinge         | A   |
|---------------|-----|
| HES3D-120     | 219 |
| HES3D-V135LGR | 217 |
| HES3D-160     | 220 |
| HES3D-E190    | 220 |
| 3535/SS       | 223 |

\*Dimension A depends on type of hinge used

Please take the following precautions when considering this hardware for your application:

- For interior use at room temperature (32~104°F, 0~40°C) only-not intended for use under high winds, high temperature or humidity, or where the hardware may get wet.
- Effectiveness may decrease over time if door is slammed closed continuously.
- Closing performance may vary depending on door latch bolt.
- If being used at the entrance of a room where air cannot move freely (vault, cellar, etc.), the ambient air pressure may affect the closing speed and power of the hardware.
- Do not hang on/hang anything on the arm as it may damage the hardware.
- Please read the installation instructions included with the hardware fully before installation.
- After installation and during normal use, please check the fasteners and hardware on a regular basis.

