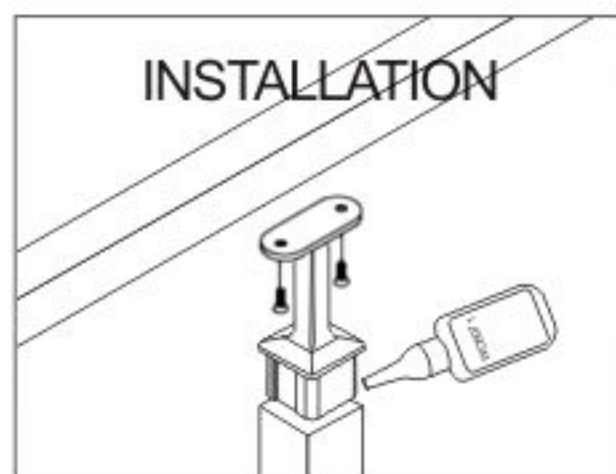
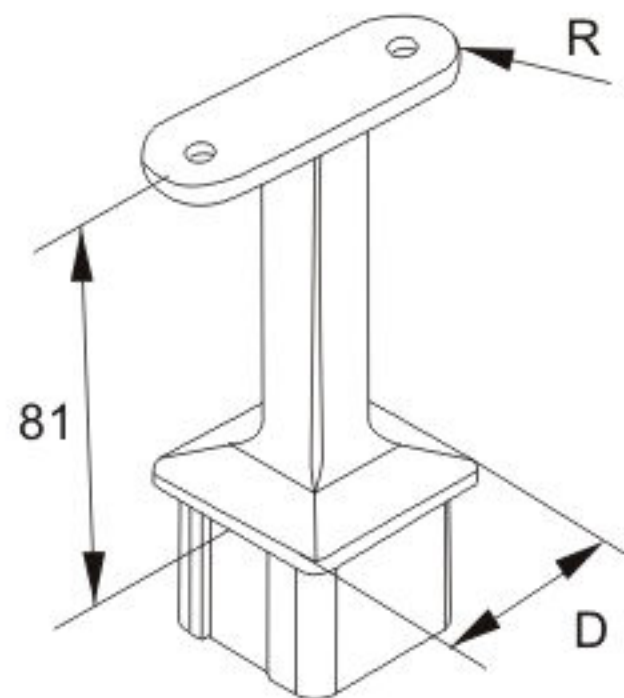


Fixed Handrail Bracket

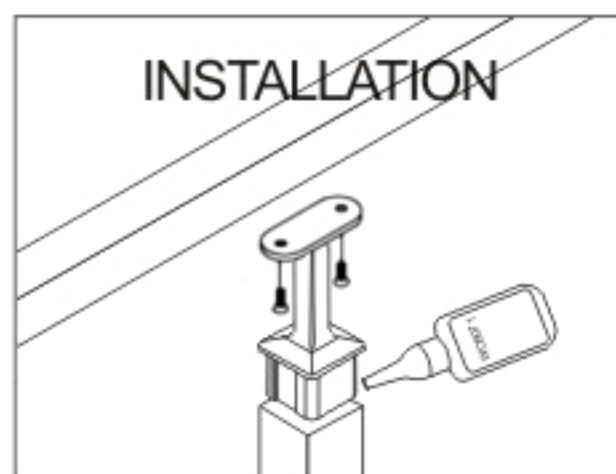
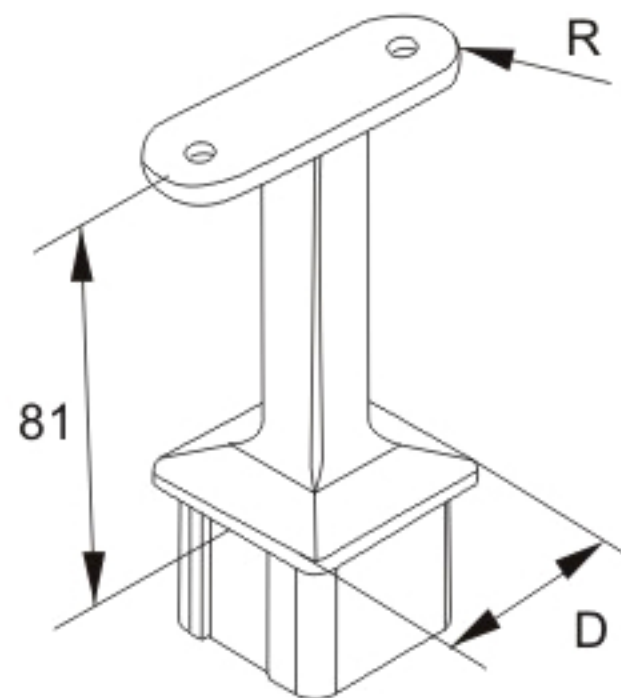
Square Tube Mount



Model	Material	R(mm)	D(mm)
HR20424800170	SS 304	Flat	40
HR20624800170	SS 316	Flat	40

Support de main courante fixe

Montage sur tube carré



Modèle	Matériel	R(mm)	D(mm)
HR20424800170	Al 304	Plat	40
HR20624800170	Al 316	Plat	40