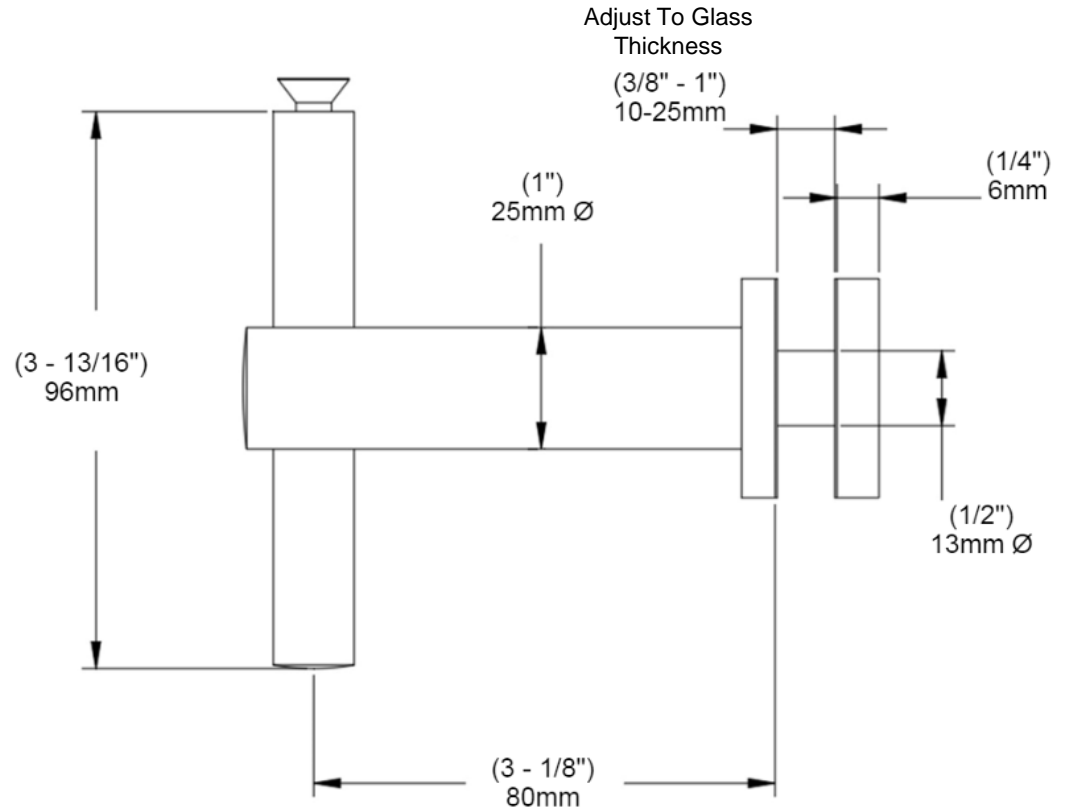
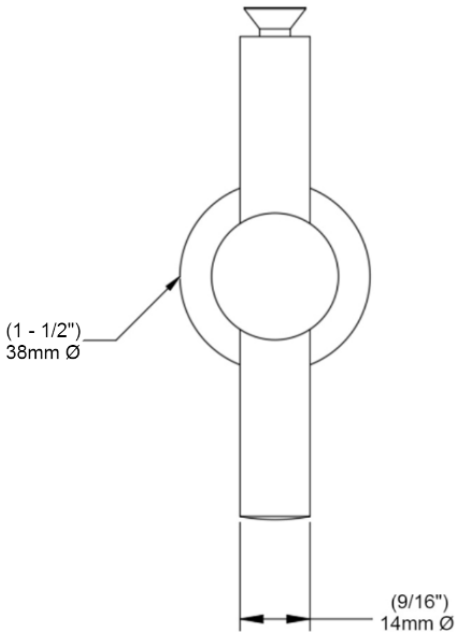


Glass Mount Height Adjustable Bracket

Code No.: SSGF100X16XXX

- For Glass 10 - 25mm (3/8" - 1")
- Hole Fabrication 16-19mm (5/8" - 3/4")



Support à hauteur ajustable, montage sur verre

Code No.: SSGF100X16XXX

- Pour verre 10 - 25mm (3/8" - 1")
- Fabrication de trou 16-19mm (5/8" - 3/4")

